

KL5BPLC250WMP

PLC Multi-hop

■ GENERAL DESCRIPTION

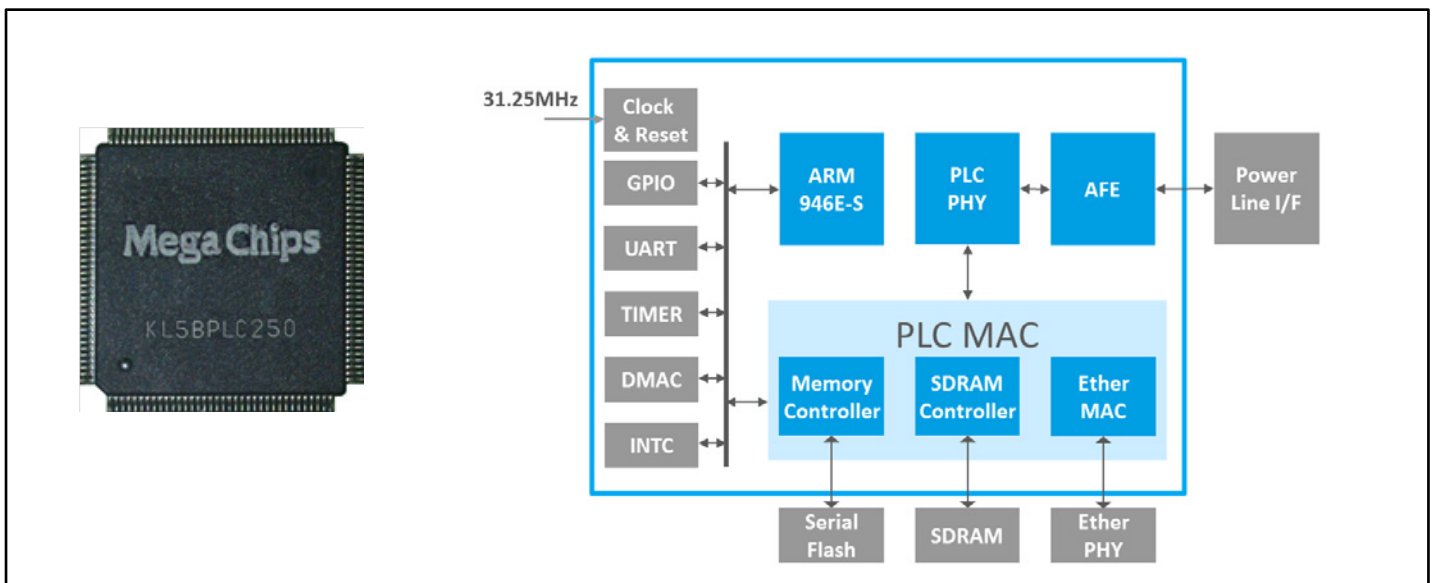
The KL5BPLC250WMP is a Broad Band Power Line Communication SoC with multi-hop capability. Multi-hop systems can communicate over the long distances that are required for many industrial and commercial applications. The KL5BPLC250WMP enables the creation of small form factor devices that consume very low power while providing high performance.

The KL5BPLC250WMP is suitable for coaxial or other cables as well as power lines.

■ FEATURES

- **Low power consumption:**
 - 0.49W for full operation mode
 - 0.07W for power save mode
- High noise immunity and high quality of service (QoS) over both AC and DC power lines
- Support multi-hop system up to 1024 nodes
- High data rate: 10Mbps(UDP/10hops)
- SoC with integrated Analog Front End(AFE) and Baseband
- Ethernet ↔ Ethernet, RS485 ↔ RS485 bridge function

■ BLOCK DIAGRAM



MegaChips Corporation			MegaChips Technology America Corporation
Corporate Headquarters Shin-Osaka Hankyu Building 1-1-1 Miyahara, Yodogawa-ku Osaka 532-0003, Japan	Makuhari Office 1-3, Nakase, Mihama-ku, Chiba 261-8501, Japan	Tokyo Office 17-6 Ichibancho, Chiyoda-ku, Tokyo 102-0082, Japan	2033 Gateway Place, Suite 400, San Jose, CA 95110, USA
Tel +81-6-6399-2884 Fax +81-6-6399-2886	Tel +81-43-296-7414 Fax +81-43-296-3285	Tel: +81-3-3512-5083 Fax: +81-3-3262-3358	Tel: +1 (408) 570-0555 Fax: +1 (408) 570-0567 E-mail: info@megachips.us
www.megachips.co.jp			www.megachips.us